

Stainless Steel or Black Rimmed Plastic Drink Holder

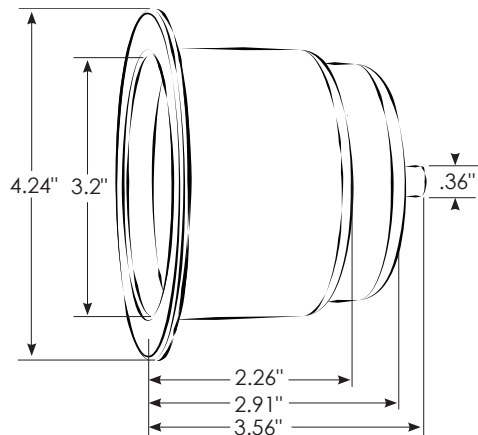
Features:

- Robust plastic housing
- Simple 3-hole screw mount installation
- Available with black plastic, corrosion resistant 304 stainless steel, or chrome plated 304 Stainless bezel to conveniently cover mounting hardware for a finished look
- Standard 3.375" cutout
- Stepped cup to accommodate various drink sizes
- Available with or without weep hole for proper drainage
- Optional rubber insert prevents smaller drinks from falling out of cup holders

Product Details:

| | |
|---------|--|
| Housing | PP110 [Black] |
| Bezel | Black, 304 Stainless Steel, or Chrome Plated 304 Stainless Steel |
| Cutout | 3.375" |

Product Dimensions:



Specification Guide

Sample Part #: 81422-B/SS-SCR-RI

Base Part
 Finish Option
 Drain Hole Option
 Optional Rubber Insert

| Drink Holder Specification | | | |
|----------------------------|---|--|---|
| Base Part # | Switch Option | Drain Hole Option | Optional Rubber Insert |
| 81422 | B/SS - Black Housing Stainless Steel Ring B/BK - Black Housing Black Ring B/BC - Black Housing Chrome Ring | SCR - Drainage Hole NN - No Drainage Hole | RI - Rubber Insert (Leave blank for no insert) |



81422-B/SS SCR



81422-B/BC-SCR



81422-B/BK-SCR



Simple Screw Mount Installation:
 Mounts with three #6 screws [included]