

3.5" Radiance™ LED Overhead Light

Features:

- Smaller footprint provides cleaner look across the ceiling without limiting the light output
- Lighting levels right where needed countertops, tables, etc.
- Even light across the fixture with no shadowing or visible LEDs
- Illuminated with 15 LEDs with an option of standard or high lumen output
- Air flow vents added to dissipate heat
- Available in 3000K, 3500K or 4000K color temperatures
- Polycarbonate lens provides the appearance of frosted glass while offering maximum light output and a soft diffused glow
- **MacAdam Ellipse** color control technology: color difference between fixtures guaranteed to be undetectable to the human eye

Product Details

	Standard Output	High Output
Lens	Polycarbonate	
Wattage	2.9 W	3.5 W
Voltage:	12V DC	
Amp Draw: [@13.6V DC]	0.2 A	0.3 A
Lumen Output	207 LM	280 LM
Color Temperature	3000K, 3500K or 4000K	
Cut Out	Leaf & Spring Mount: 2.625" Screw Mount: 2.5"	

Specification Guide

Sample Part #: 69353CUSM-04-0030

Base Part
Lens Material
Switch Option
Recessed Mounting Style
Number or Type of LEDs
Color Temperature

3.5" Radiance Specifications

Base Part #	Lens Material	Switch Option	Mounting Style	Type of LEDs	Color Temperature
69343 Recessed 69353 Surface	C - Polycarbonate	U - Unswitched S - Switched***	SP - Spring NS - Screw LS - Leaf SM - Surface**	03 - Standard* 04 - High	0030 - 3000K 0035 - 3500K 0040 - 4000K

*Standard non-stock option
**For surface mount use surface mount base part number for all other mounting styles use recessed base part number
***Switched option is only available for 69353 surface mount version



69353CUSM-04-0030



69343CUNS-04-0030

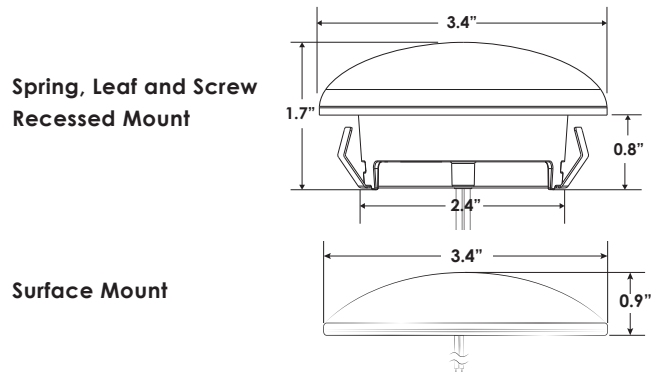


69343CULS-04-0030



69343CUSP-04-0030

Product Dimensions:



3.5" Radiance™ Overhead Light Benefits

