

Decor™ Color Selection Overhead Light

Part Numbers | See Specification Guide [Page 2]

Features:

- Fully dimmable warm white/cool white color options allow you to customize the lighting to your preference or current task
- Provide additional lighting control to end users without adding additional SKUs
- Solid brass housing plated in brushed nickel
- Complete with frosted lens for soft pleasing glow of illumination
- Three wire system requires a double pole dimming switch
- No visible fasteners



No Bezel Version
69553FUSP-05-3065-NN



Bezel Version
69554FUSM-05-3065-NN

Product Details:

Housing	Plated Brass
Glass	Frosted
Finish Options	Brushed Nickel
Color Temperature	3000K/6500K Combo
Cutout	2.25"
Voltage	13.6 V
Wattage	2.5 W
Amp Draw	0.2 A
Lumen Output	120 LM

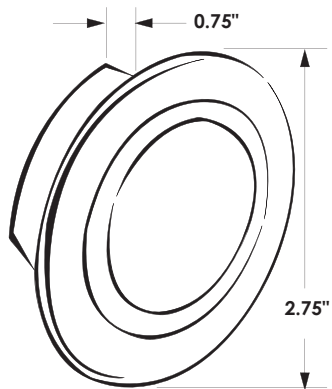
Product Specifications:

Sample Part #: 69554FUSP-05-3065-NN

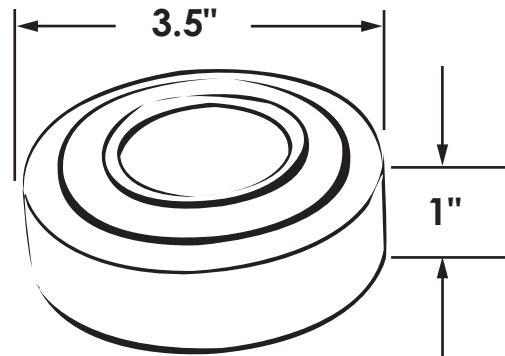
Base Part #
 Lens
 Switch
 Mounting Style
 LED Type
 Color Temperature
 Finish

Base Part #	Lens	Switch	Mounting Style	LED Type	Color Temp.	Finish
69553 - Without Bezel 69554 - With Bezel	F - Frosted	U - Unswitched	SP - Spring SM - Surface LS - Leaf Spring*	05 - 9 LED Dual Color Chips	3065 - 3000K/6500K	NN - Nickel Plated, Negative Common NP - Nickel Plated, Positive Common
*No bezel version only						

Product Dimensions:



69553 - Spring Mount No Bezel Version



69554 - Surface Mount Bezel Version